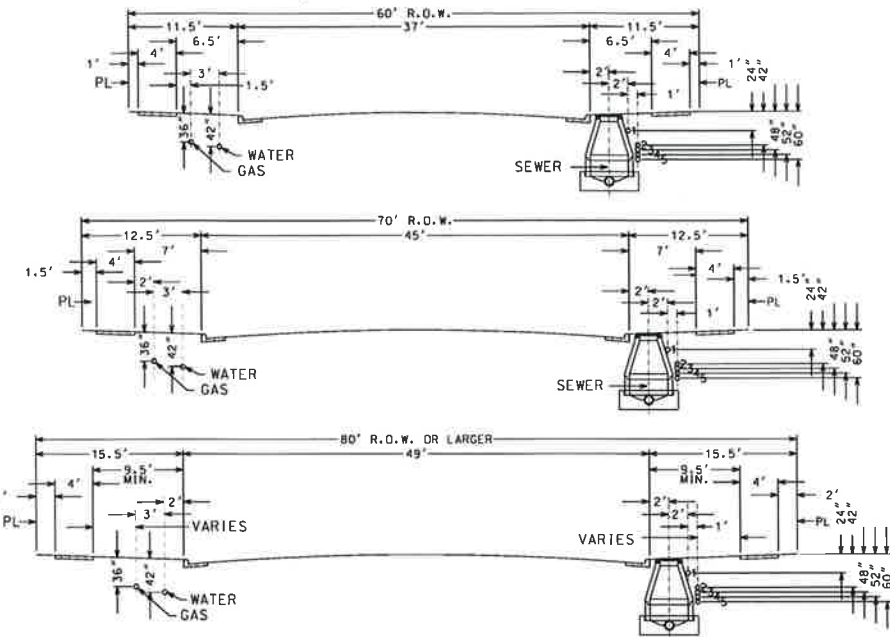
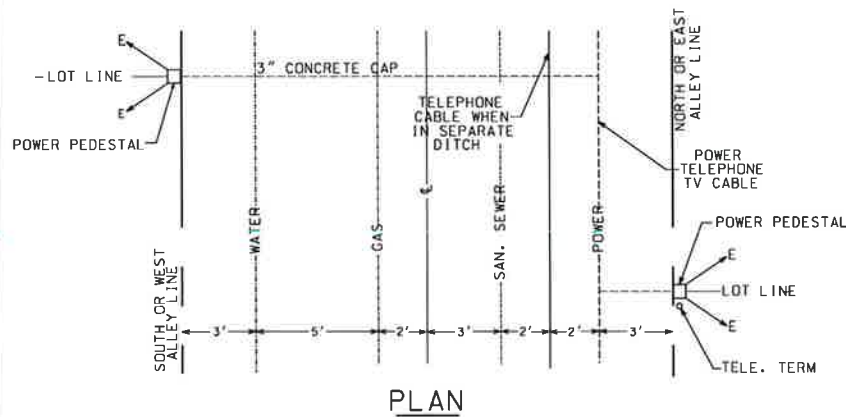


NOTES:
SEWER, POWER, T.V. & TELEPHONE
TO BE ON NORTH & EAST SIDE;
WATER & GAS TO BE ON SOUTH &
WEST SIDE
SEWER AND WATER MAINS ARE
INTERCHANGEABLE
SEWER TO ALWAYS BE ON LOW SIDE.

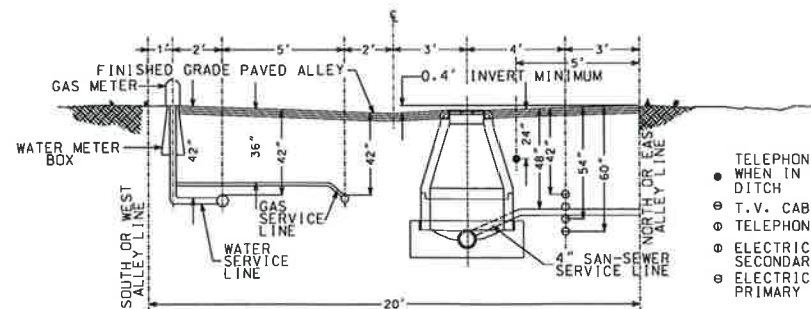
LEGEND:
1. TELEPHONE CABLE, WHEN IN
SEPARATE DITCH
2. T.V. CABLE
3. TELEPHONE
4. ELECTRICAL SECONDARY
5. ELECTRICAL PRIMARY



UTILITY LOCATIONS - STREET
SIDEWALKS SET BACK FROM BACK-OF-CURB



PLAN



PROFILE

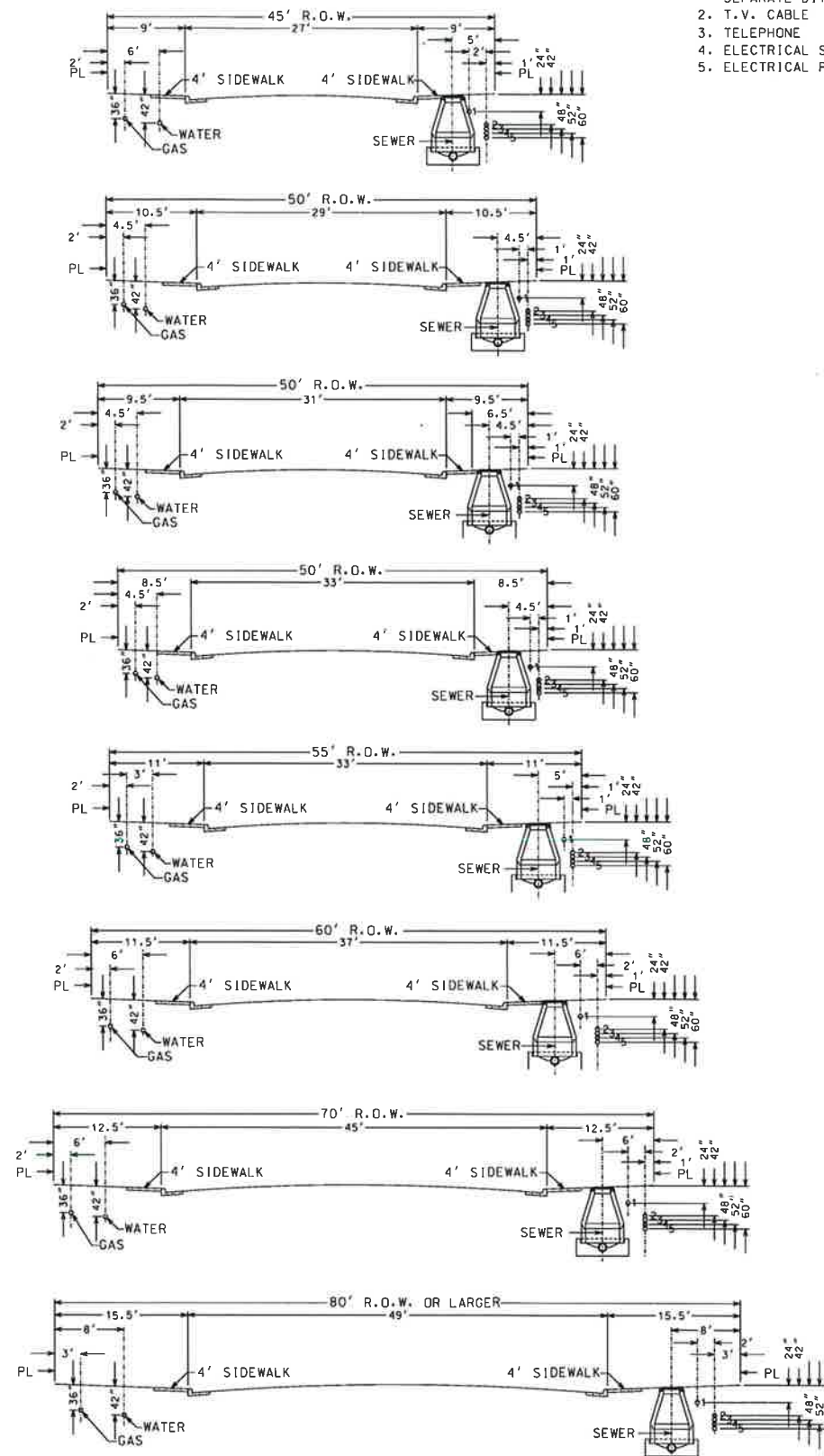
UTILITY	SEQUENCE	DEPTH	LOCATION FROM CENTERLINE OF ALLEY
SEWER	FIRST	72"	3' N. OR E. OF C.L.
ELECTRIC P.	SECOND	60"	7' N. OR E. OF C.L.
ELECTRIC S.	THIRD	54"	7' N. OR E. OF C.L.
T.V. CABLE	FOURTH	42"	7' N. OR E. OF C.L.
WATER	FIFTH	42" COVER	7' S. OR W. OF C.L.
GAS	SIXTH	42" COVER	2' S. OR W. OF C.L.
TELEPHONE	SEVENTH	24"	7' N. OR E. OF C.L.

5' N. OR E. OF C.L. IF NOT IN PUBLIC SERVICE DITCH

UTILITY LOCATIONS-ALLEYS

NOTES:

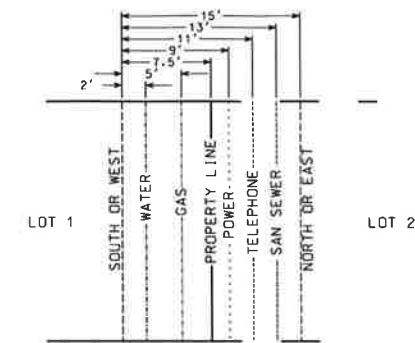
SEWER, POWER, T.V. & TELEPHONE
TO BE ON NORTH & EAST SIDE;
WATER & GAS TO BE ON SOUTH &
WEST SIDE
SEWER AND WATER MAINS ARE
INTERCHANGEABLE
SEWER TO ALWAYS BE ON LOW SIDE.



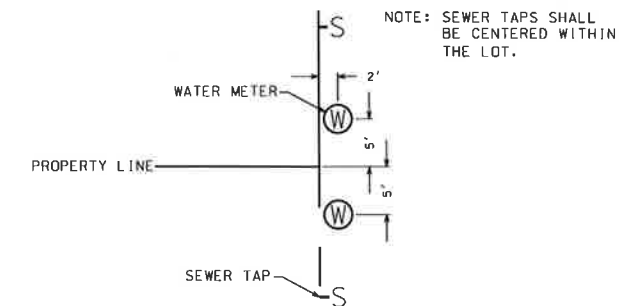
UTILITY LOCATIONS - STREET
SIDEWALKS ALONG BACK-OF-CURB

LEGEND:

1. TELEPHONE CABLE, WHEN IN
SEPARATE DITCH
2. T.V. CABLE
3. TELEPHONE
4. ELECTRICAL SECONDARY
5. ELECTRICAL PRIMARY



15' EASEMENT-UTILITY LOCATIONS



TAP LOCATIONS

- EXISTING FIRE HYDRANT
- PROPOSED FIRE HYDRANT
- EXISTING VALVE
- PROPOSED VALVE
- EXISTING MANHOLE
- PROPOSED MANHOLE
- PROPOSED REDUCER
- PROPOSED TEE
- PROPOSED 90° BEND
- PROPOSED 45° BEND
- PROPOSED 22 1/2° BEND
- PROPOSED 11 1/4° BEND

STANDARD SYMBOLS

STANDARD DETAIL SHEET UTILITY LOCATIONS	
DRAWN BY:	K. C. Cook
APPROVED BY:	Kyle Schniederjan
PATH:	K:\CAD\UtilityStandards\Utility Locations Detail.dgn
HORIZ. SCALE	NONE
VERT. SCALE	DATE 1/12/2017
W.O. NO.	SHEET SD-UL-1



CAPITAL PROJECTS &
DEVELOPMENT ENGINEERING