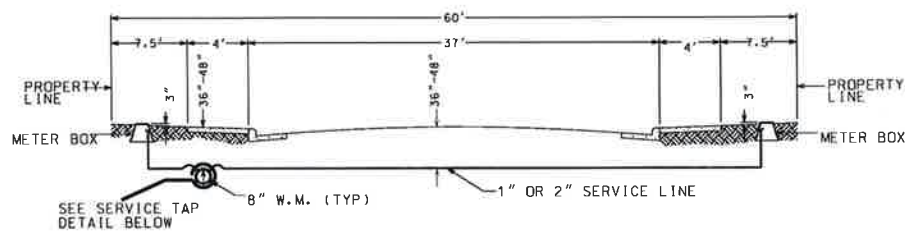
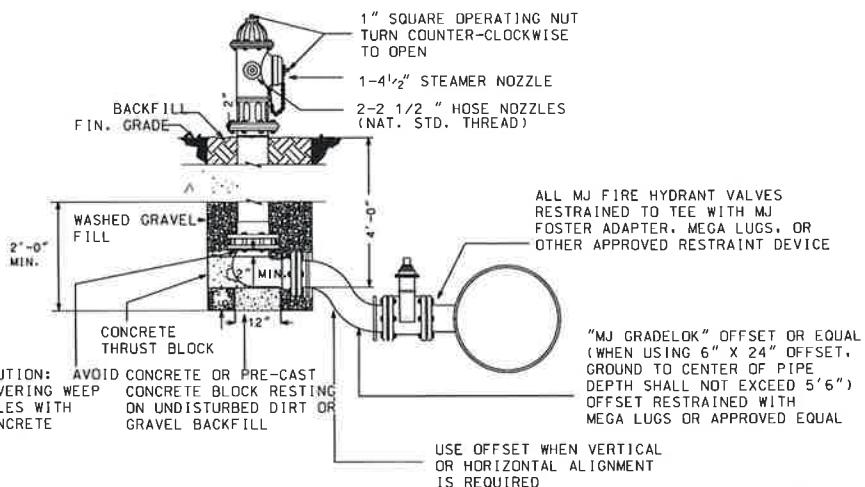


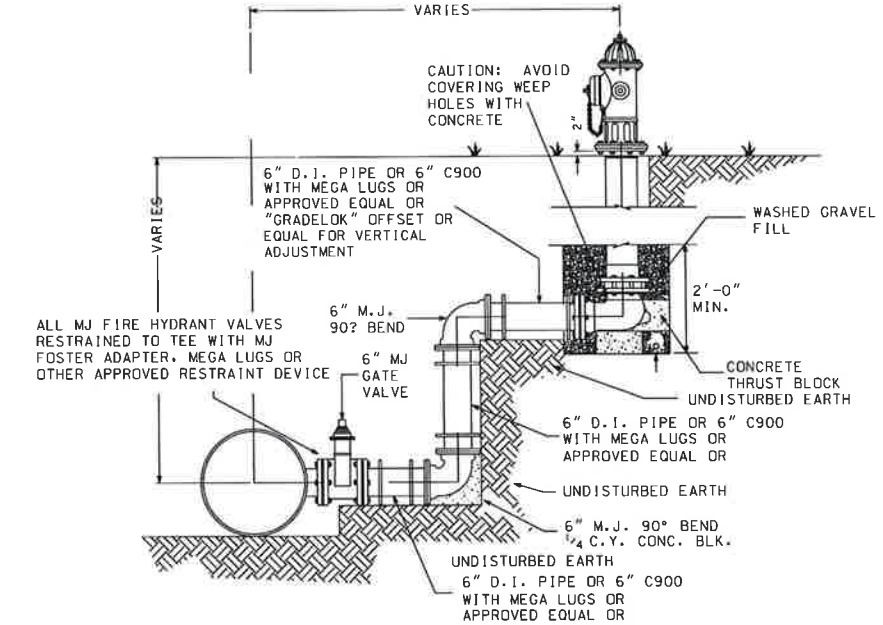
NOTE:
 FIRE HYDRANT SHALL BE MUELLER "CENTURION"
 OR APPROVED EQUAL. EXTERIOR SURFACES BELOW
 GROUND SHALL BE COATED WITH AN ASPHALT
 VARNISH, TWO COATS. ALL EXTERIOR SURFACES
 ABOVE GROUND SHALL HAVE AN OXIDE PRIMER COAT.
 ALL HYDRANTS SHALL BE EQUIPPED WITH A
 BREAKAWAY FLANGE.



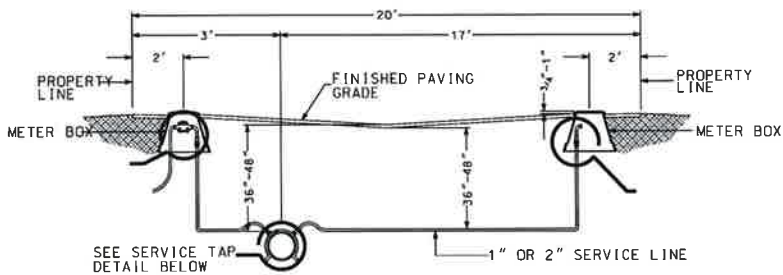
TYPICAL INSTALLATION - STREETS
 REFER TO SHEET 2 OF 2 FOR METER DETAILS



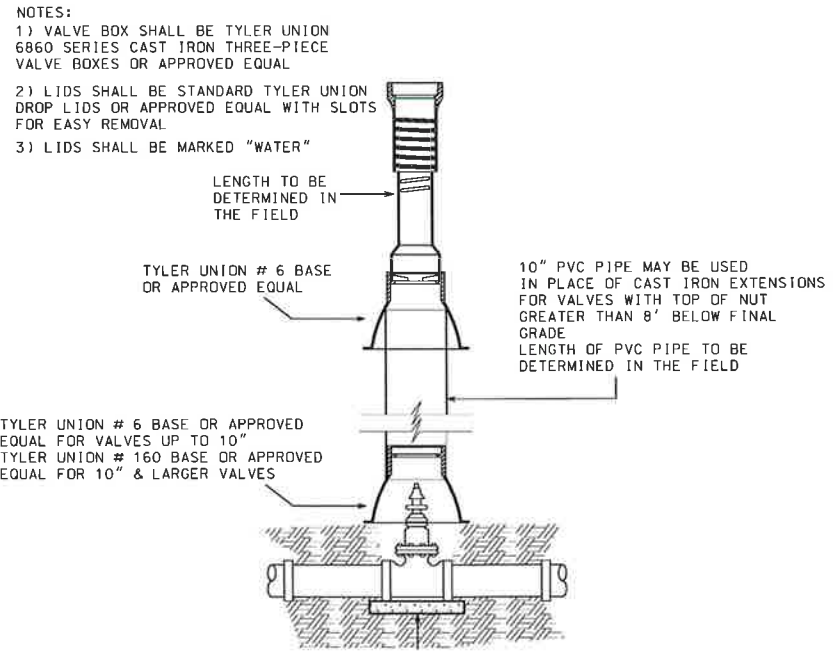
FIRE HYDRANT DETAIL
 (FOR FIRE HYDRANTS 4' TO 5'6" DEEP)
 SEE INSET NOTE ABOVE



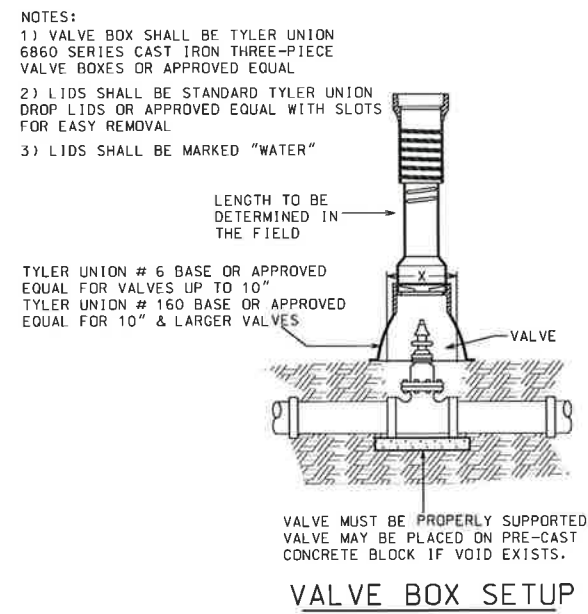
DEEP BURY FIRE HYDRANT
 (FOR FIRE HYDRANTS GREATER THAN 5'6" DEEP)
 SEE INSET NOTE ABOVE



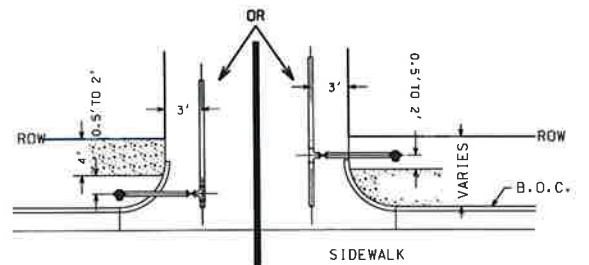
TYPICAL INSTALLATION - ALLEYS
 REFER TO SHEET 2 OF 2 FOR METER DETAILS



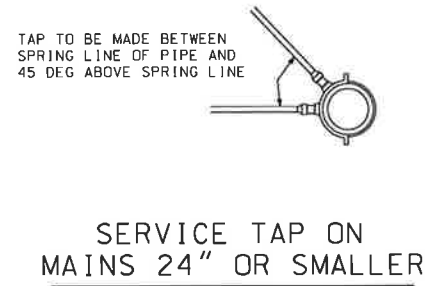
DEEP VALVE BOX SETUP
 FOR VALVES WITH TOP OF NUT
 MORE THAN 8' BELOW FINAL GRADE



VALVE BOX SETUP



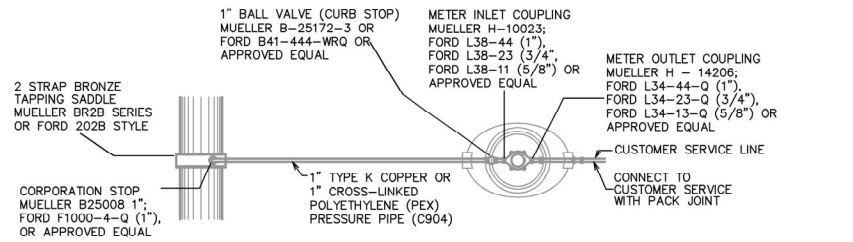
TYPICAL FIRE HYDRANT INSTALLATIONS
 ADJACENT TO SIDEWALKS



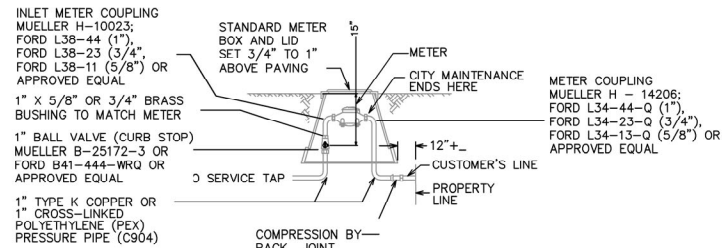
SERVICE TAP ON
 MAINS 24" OR SMALLER

STANDARD DETAIL SHEET (WATER - 1 of 2)			
DRAWN BY:		K. C. Cook	
APPROVED BY:		Kyle Schniederjan	
PATH: K:\CAD\0111\Standards\Water Detail 2017.dgn			
HORZ. SCALE	NONE	DATE	1/12/2017
VERT. SCALE		SHEET	SD-W-1
W.D. NO.			

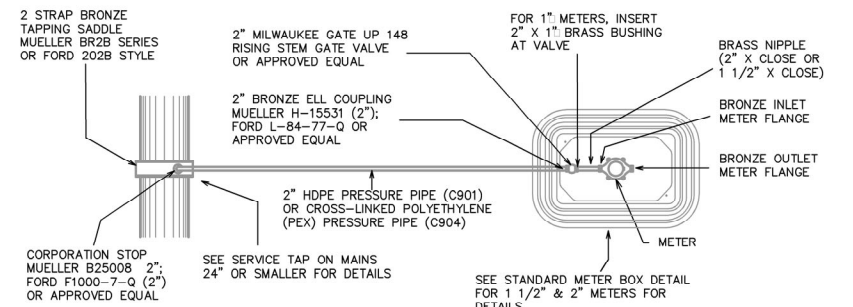




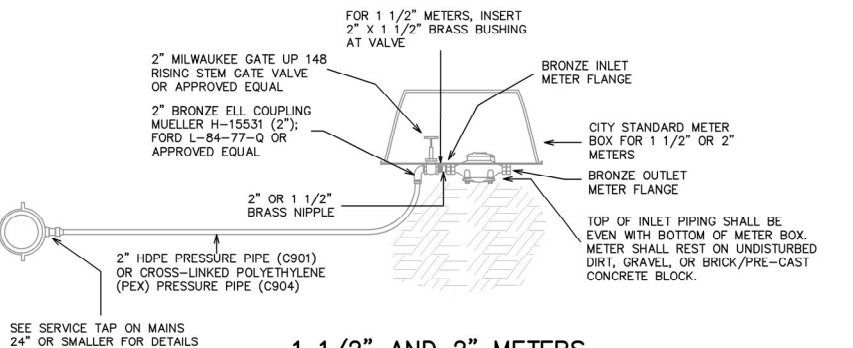
**5/8", 3/4", & 1" METERS
PLAN VIEW**



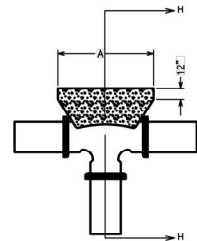
**5/8", 3/4", & 1" METERS
PROFILE VIEW**



**1 1/2" AND 2" METERS
PLAN VIEW**



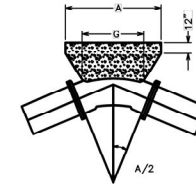
**1 1/2" AND 2" METERS
PROFILE VIEW**



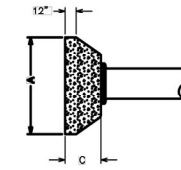
**TEE THRUST BLOCKING
NOT TO SCALE**



**SECTION H - H
NOT TO SCALE**

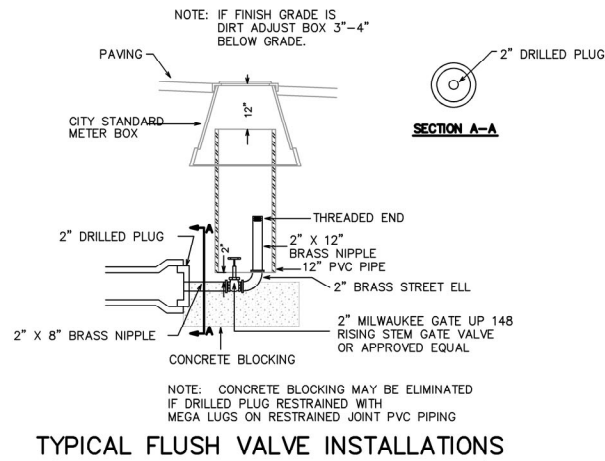


**BEND THRUST BLOCKING
NOT TO SCALE**

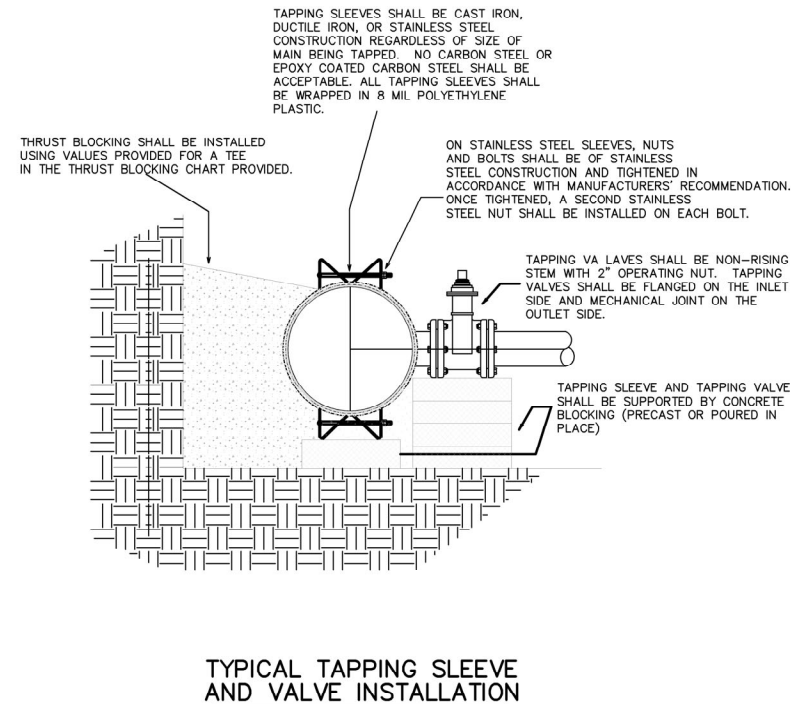


**PLUG/CAP THRUST BLOCK
NOT TO SCALE**

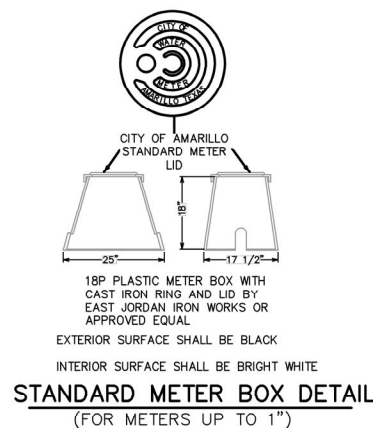
= 11.25'				= 22.50'				= 45'				= 90'				TEE/PLUG				FIRE HYDRANT				
I.D. (in)	G (ft.)	EARTH		I.D. (in)	G (ft.)	EARTH		I.D. (in)	G (ft.)	EARTH		I.D. (in)	G (ft.)	EARTH		I.D. (in)	G (ft.)	EARTH		I.D. (in)	G (ft.)	EARTH		
		A (ft.)	B (ft.)			A (ft.)	B (ft.)			A (ft.)	B (ft.)			A (ft.)	B (ft.)			A (ft.)	B (ft.)			A (ft.)	B (ft.)	
4, 6, 8	0.4	1.0	1.5	0.1	4, 6, 8	0.8	1.5	1.5	0.1	4, 6, 8	1.5	2.0	2.0	0.2	4, 6, 8	2.7	5.0	1.5	0.4	4, 6, 8	1.5	1.5	2.5	0.3
10, 12	0.6	1.5	1.5	0.1	10, 12	1.1	2.0	2.5	0.3	10, 12	2.2	3.5	2.5	0.5	10, 12	4.0	6.5	2.5	1.0	10, 12	1.5	2.5	3.5	0.6
16, 18	0.8	2.0	2.5	0.2	16, 18	1.6	3.0	3.5	0.6	16, 18	3.2	4.5	4.5	1.2	16, 18	6.0	9.0	4.0	2.4	16, 18	2.0	4.0	5.5	1.6



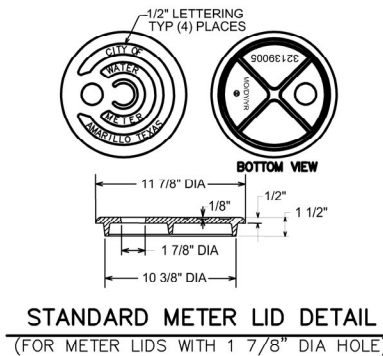
TYPICAL FLUSH VALVE INSTALLATIONS



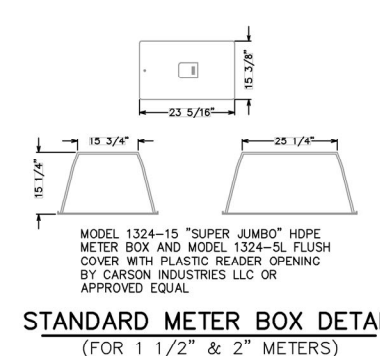
TYPICAL TAPPING SLEEVE AND VALVE INSTALLATION



**STANDARD METER BOX DETAIL
(FOR METERS UP TO 1")**



**STANDARD METER LID DETAIL
(FOR METER LIDS WITH 1 7/8" DIA HOLE)**



**STANDARD METER BOX DETAIL
(FOR 1 1/2" & 2" METERS)**

CITY OF AMARILLO
CAPITAL PROJECTS & DEVELOPMENT ENGINEERING

PROJECT DESCRIPTION:

REVISIONS

NO.	DESCRIPTION	DATE

SHEET TITLE:
STANDARD WATER DETAIL SHEET

DESIGNED BY: JERRY HUNT DATE: 5/22/23
 APPROVED BY: JACKSON ZAHARIA SCALE: N/A
 PROJECT NO:

SHEET NO:
2 OF 2