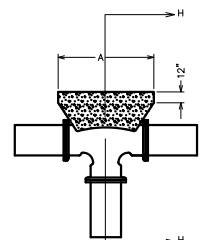


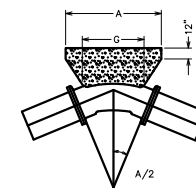
**5/8", 3/4", & 1" METERS  
PLAN VIEW**



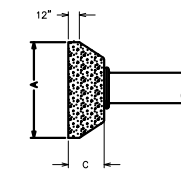
**TEE THRUST BLOCKING  
NOT TO SCALE**



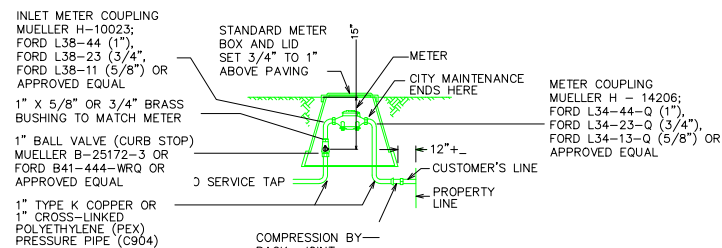
**SECTION H - H  
NOT TO SCALE**



**BEND THRUST BLOCKING  
NOT TO SCALE**

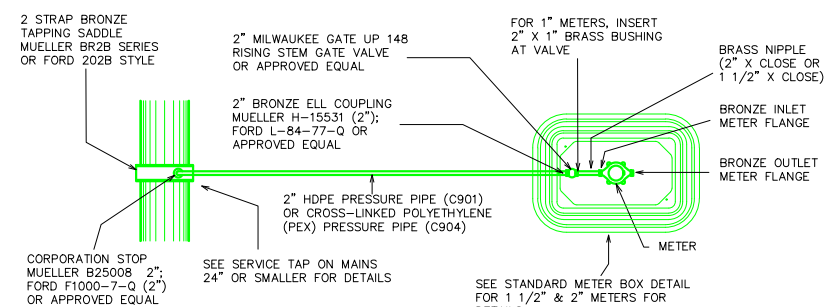


**PLUG/CAP THRUST BLOCK  
NOT TO SCALE**

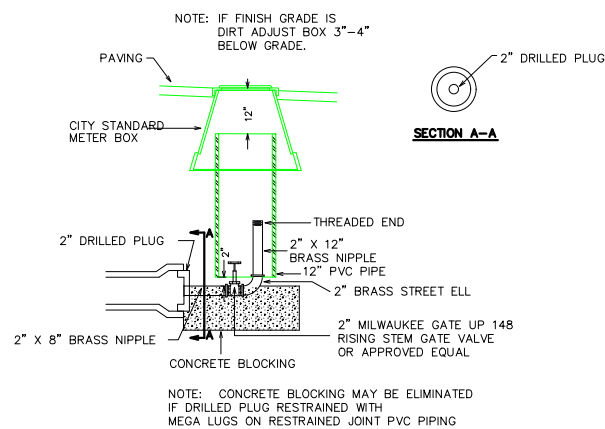


**5/8", 3/4", & 1" METERS  
PROFILE VIEW**

I.D. (in)	= 11.25'				= 22.50'				= 45'				= 90'				TEE/PLUG				FIRE HYDRANT								
	G (ft.)	A (ft.)	B (ft.)	VOL (C.Y.)	G (ft.)	A (ft.)	B (ft.)	VOL (C.Y.)	G (ft.)	A (ft.)	B (ft.)	VOL (C.Y.)	G (ft.)	A (ft.)	B (ft.)	VOL (C.Y.)	I.D. (in)	G (ft.)	A (ft.)	B (ft.)	VOL (C.Y.)	I.D. (in)	G (ft.)	A (ft.)	B (ft.)	VOL (C.Y.)			
4, 6, 8	0.4	1.0	1.5	0.1	4, 6, 8	0.8	1.5	1.5	0.1	4, 6, 8	1.5	2.0	2.0	0.2	4, 6, 8	2.7	5.0	1.5	0.4	4, 6, 8	1.5	1.5	2.5	0.3	6	2.7	5.0	1.5	0.4
10, 12	0.6	1.5	1.5	0.1	10, 12	1.1	2.0	2.5	0.3	10, 12	2.2	3.5	2.5	0.5	10, 12	4.0	6.5	2.5	1.0	10, 12	1.5	2.5	3.5	0.6					
16, 18	0.8	2.0	2.5	0.2	16, 18	1.6	3.0	3.5	0.6	16, 18	3.2	4.5	4.5	1.2	16, 18	6.0	9.0	4.0	2.4	16, 18	2.0	4.0	5.5	1.6					



**1 1/2" AND 2" METERS  
PLAN VIEW**

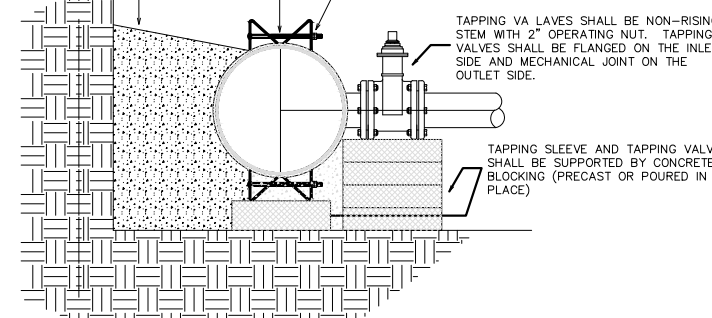


**TYPICAL FLUSH VALVE INSTALLATIONS**

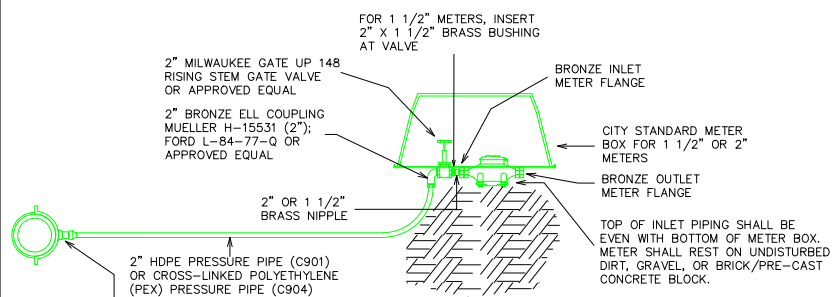
TAPPING SLEEVES SHALL BE CAST IRON, DUCTILE IRON, OR STAINLESS STEEL CONSTRUCTION REGARDLESS OF SIZE OF MAIN BEING TAPPED. NO CARBON STEEL OR EPOXY COATED CARBON STEEL SHALL BE ACCEPTABLE. ALL TAPPING SLEEVES SHALL BE WRAPPED IN 8 MIL POLYETHYLENE PLASTIC.

THRUST BLOCKING SHALL BE INSTALLED USING VALUES PROVIDED FOR A TEE IN THE THRUST BLOCKING CHART PROVIDED.

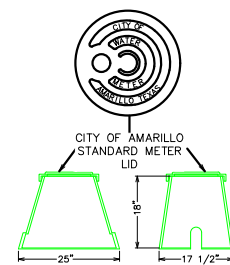
ON STAINLESS STEEL SLEEVES, NUTS AND BOLTS SHALL BE OF STAINLESS STEEL CONSTRUCTION AND TIGHTENED IN ACCORDANCE WITH MANUFACTURERS' RECOMMENDATION. ONCE TIGHTENED, A SECOND STAINLESS STEEL NUT SHALL BE INSTALLED ON EACH BOLT.



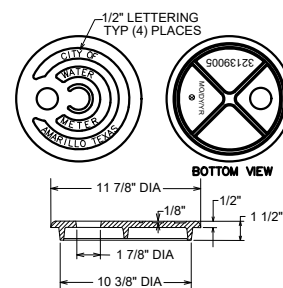
**TYPICAL TAPPING SLEEVE AND VALVE INSTALLATION**



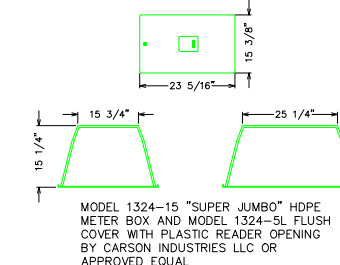
**1 1/2" AND 2" METERS  
PROFILE VIEW**



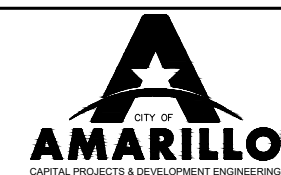
**STANDARD METER BOX DETAIL  
(FOR METERS UP TO 1")**



**STANDARD METER LID DETAIL  
(FOR METER LIDS WITH 1 7/8" DIA HOLE)**



**STANDARD METER BOX DETAIL  
(FOR 1 1/2" & 2" METERS)**



PROJECT DESCRIPTION:

REVISIONS

SHEET TITLE:  
STANDARD WATER DETAIL SHEET

DESIGNED BY: JERRY HUNT DATE: 5/11/23

APPROVED BY: JACKSON ZAHARIA SCALE: N/A

PROJECT NO:

SHEET NO:  
2 OF 2